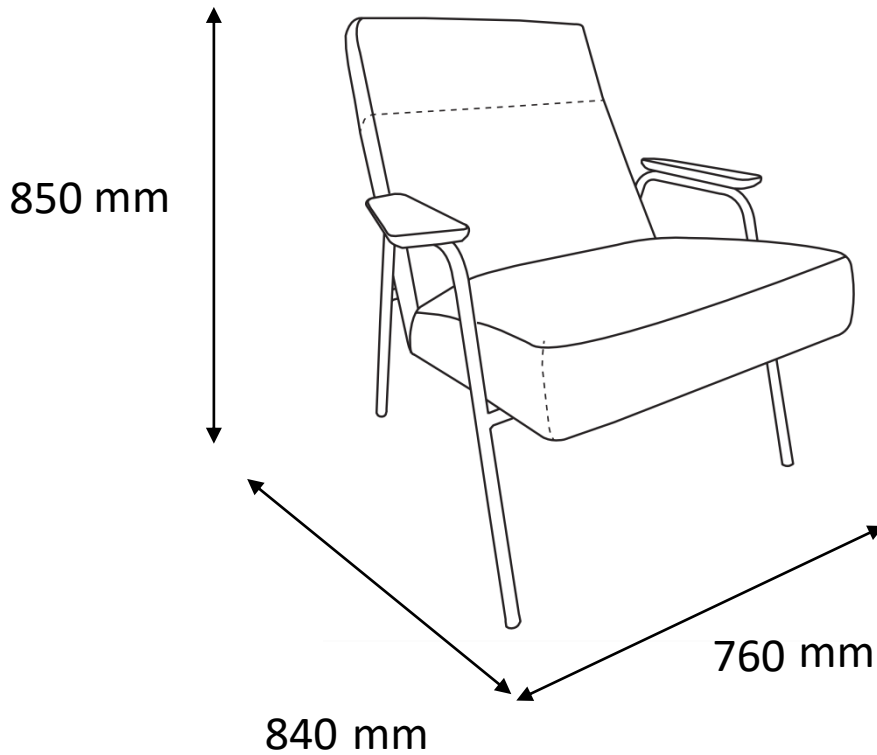


ASSEMBLY INSTRUCTION

ERIKSON

(ACCENT CHAIR)

ITEM CODE: 79602

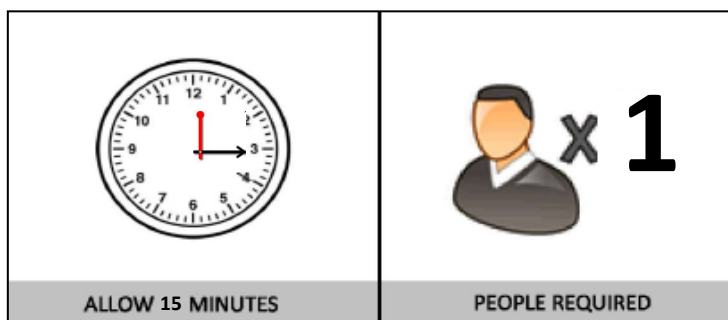


Imported by JWA Furniture Pty Ltd, Qld, Brisbane Australia.
For any assistance with assembly or for missing parts please refer to your receipt

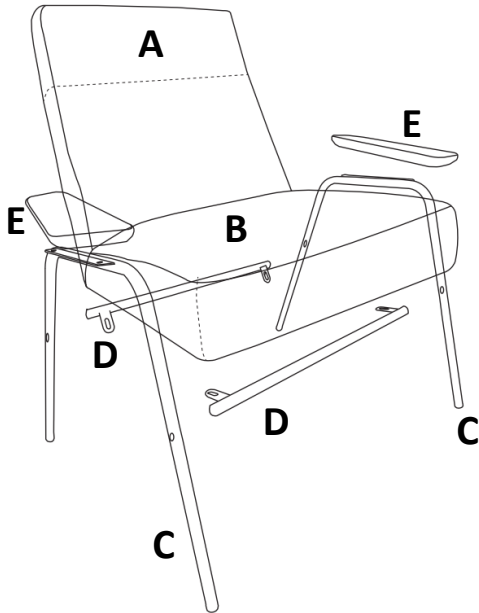
PRE-ASSEMBLY PREPARATION

Before you start:

1. Choose a clean, level, spacious assembly area. Avoid hard surfaces that may damage the product
2. Take care when lifting. Product should be assembled as near as possible to the point of use
3. Ensure that you have all required contents for complete assembly
4. Always read the assembly instructions carefully before beginning assembly.
5. Keep all hardware parts and packaging out of reach of small children.
6. Do not over tighten the screws and bolts as this may damage the threads





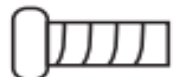
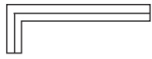


PARTS LIST

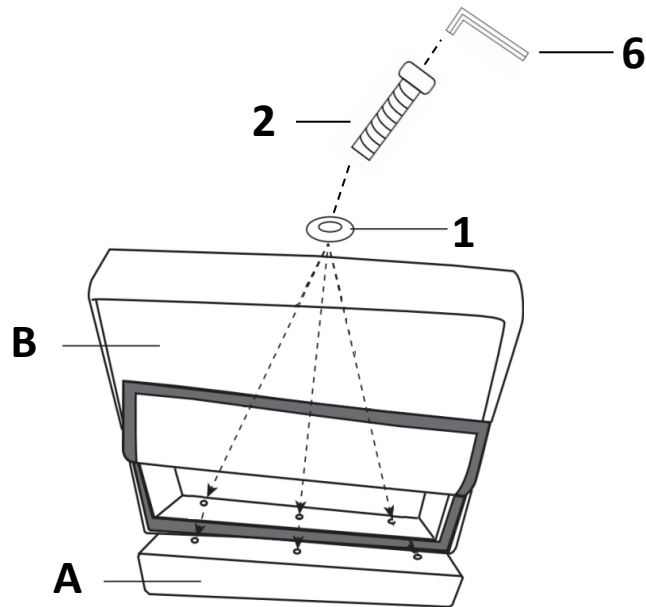


A	SEATBACK
B	SEAT
C	METAL LEG (X2)
D	CONNECTOR ROD (X2)
E	WOODEN ARMREST (X2)

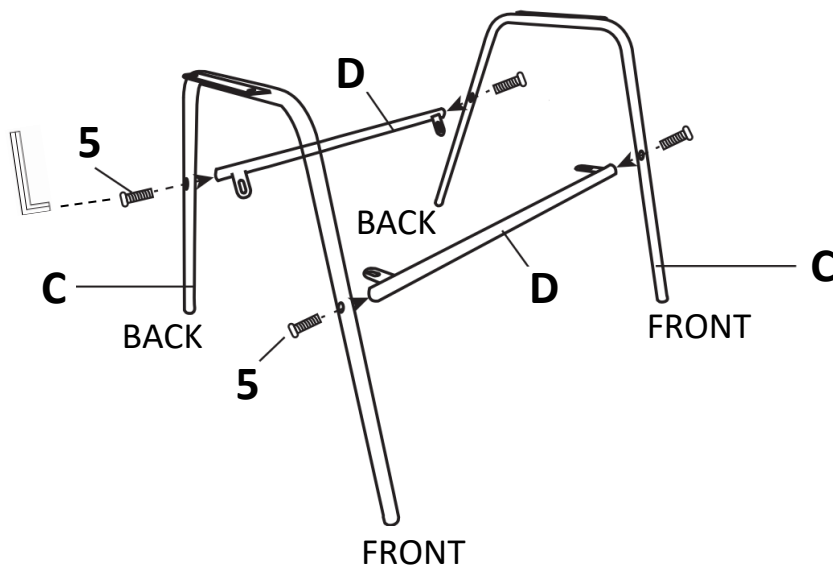
HARDWARE

<p>1</p>  <p>METAL WASHER (X 3)</p>	<p>2</p>  <p>M8 X 55 BOLT (X 3)</p>	<p>3</p>  <p>M6 X 18 BOLT (X 4)</p>
<p>4</p>  <p>M6 X 25 BOLT (X 4)</p>	<p>5</p>  <p>M6 X 30 BOLT (X 4)</p>	<p>6</p>  <p>ALLEN KEY (X 1)</p>

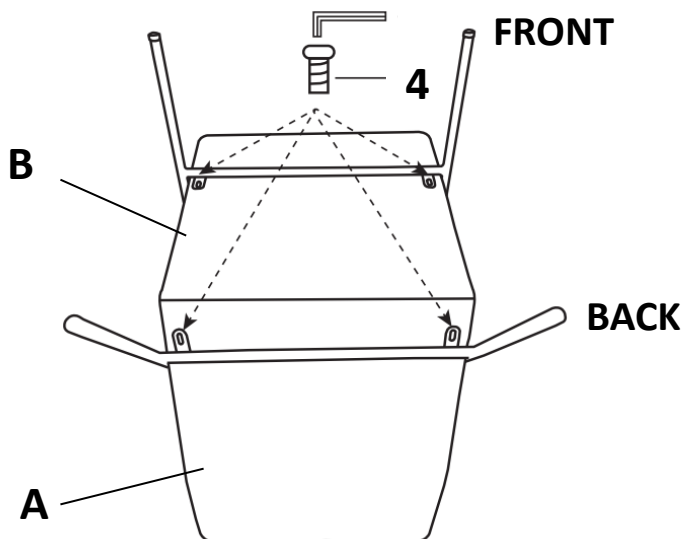
STEP 1: Open Velcro flap on bottom of seat (B) and align the holes with those found on the seatback (A). Pass each M8x55 bolt (2) through a metal washer (1) and insert into aligned bolt holes. Tighten with Allen Key (6). "CHAIR SEAT" COMPLETE



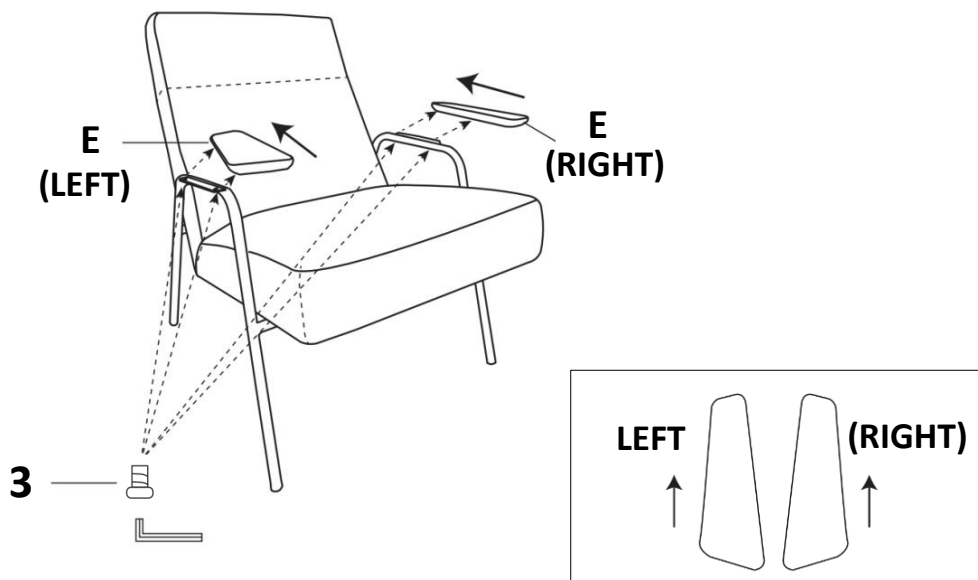
STEP 2: Assemble metal legs (C) and connector rod (D) using M6x30 bolts (5). "METAL FRAME" COMPLETE.



STEP 3: Turn over “CHAIR SEAT” assembled in “STEP 1” and place on top “METAL FRAME” assembled in “STEP 2”. Align the eyelets on the metal frame with bolt holes on chair seat and assemble with M6*25 bolts (4).



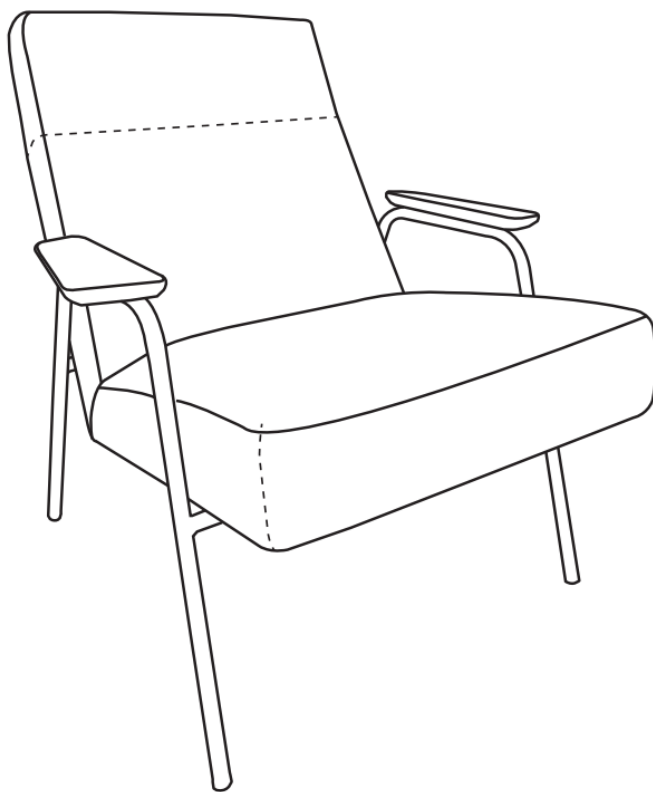
STEP 4 : Attach wooden armrest (E) with M6x18 bolts (3). Use the picture below as a guide to differentiate Left and Right armrests.



IMPORTANT NOTE:

Before finally tightening the bolts, place the assembled chair upright on a level surface and sit carefully on the chair to ensure the chair legs are aligned and level. Then tighten all bolts and your chair is ready for use.

ASSEMBLY IS COMPLETE



CARE AND MAINTENANCE

REGULAR CARE:

- Protect from direct sunlight
- Vacuum regularly using low suction
- Rotate reversible cushions regularly
- Avoid exposure to new clothing, cushions or throws as this may lead to dye transfer and permanent staining

CLEANING:

- Do not remove cushion covers for separate cleaning even though they may have zippers
- Do not wash, Do not dry clean, Do not shampoo clean
- Clean only with hot water extraction machine. Professional cleaning recommended
- Do not use dishwashing liquid or laundry detergent. Use only upholstery detergents
- Do not wet filling
- Dry in shade away from direct heat and sunlight
- Allow to dry thoroughly before re-use

SPOT CLEANING:

- Do not rub
- Do not spot clean with any solvent
- Treat spills and stains as soon as possible
- Gently scrape off any soil or blot any liquid from the surface of the fabric before applying cleaner
- Apply proprietary cleaning agents strictly according to instructions to remove the residue of the spill
- Do not saturate the fabric or interior with water or other cleaning liquids

WARNING:

Apply only water-based soil resist (fabric protection) treatments. Do not use aerosol products

* PILLING IS NOT A FABRIC DEFECT OR FAULT AND IS NOT COVERED BY WARRANTY

* PILLING IS A NORMAL OCCURRENCE CAUSED BY WEAR AND TEAR AND DOES NOT AFFECT THE DURABILITY OR FUNCTIONALITY OF THE FABRIC AND IS EASILY REMOVED